



kid2youth.com

Kid Youth



DUO

TCT NANOTEC CO., LTD 大將作國際股份有限公司

📍 407 台中市西屯區工業區14路1號 No.1, 14th Rd., Taichung Industrial Park Taichung City 407, Taiwan

☎ +886-(0)4-23591666 📠 +886-(0)4-23591686 🌐 www.kid2youth.com 📞 8040 8563

User guide 使用手冊 Ver 202004



DUO 椅

DUO Chair

組裝說明

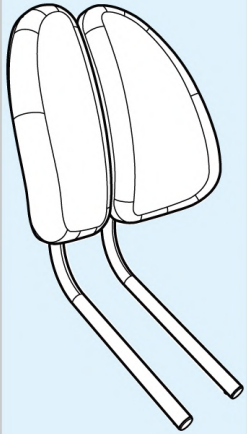
Assembly Instruction



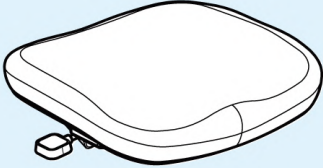
注意
CAUTION

- 適用年齡3歲以上。
- 請由成人組裝並注意孩童安全。
- 孩童使用實務必由成人陪同。
- Applies for kid more than 3 years.
- Assembled by adult.
- Parents presence with junior users.

1 椅背 Seatback X 1



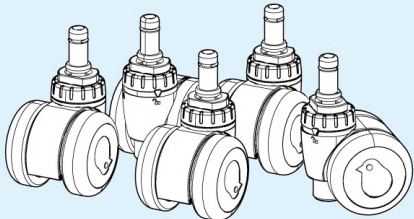
2 坐墊 Seat X 1



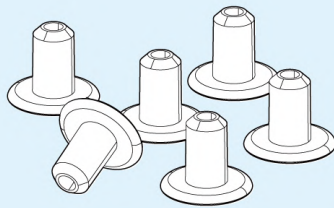
5 氣壓棒 Gas lift X 1



4 坐煞輪 Sit & brake casters X 5



6 扶手孔蓋 Hole cover X 6

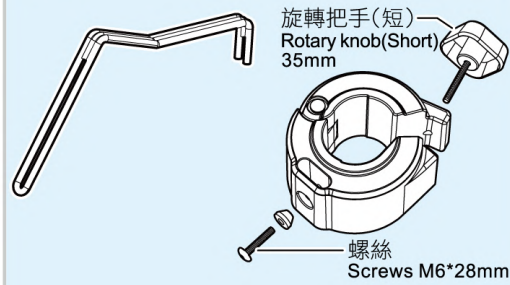


7 五爪定向孔蓋 Hole cover X 1

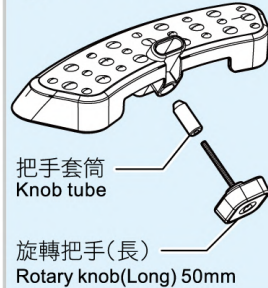


1 輔助踏板(選配) Foot rest (Optional)

1-a 支撐架 Stand X 1 1-b 扣環 Connector X 1

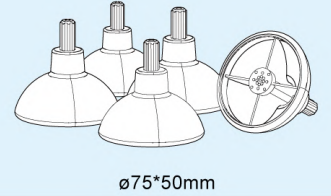


1-c 踏板 Foot rest X 1 1-d 腳套 Tip (foot rest) X 1



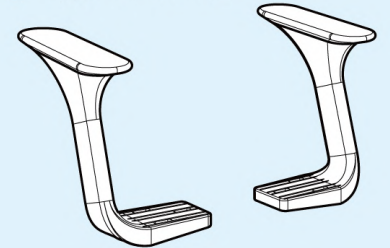
2 固定腳墊(選配) Bottom Tips (Optional)

2-a 固定腳墊 Bottom tips X 5

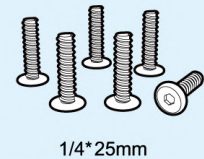


3 BABO/EGO/DUO專用扶手(選配) BABO/EGO/DUO Armrest (Optional)

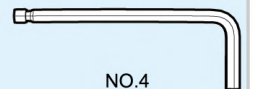
3-a 扶手 Armrest X 2



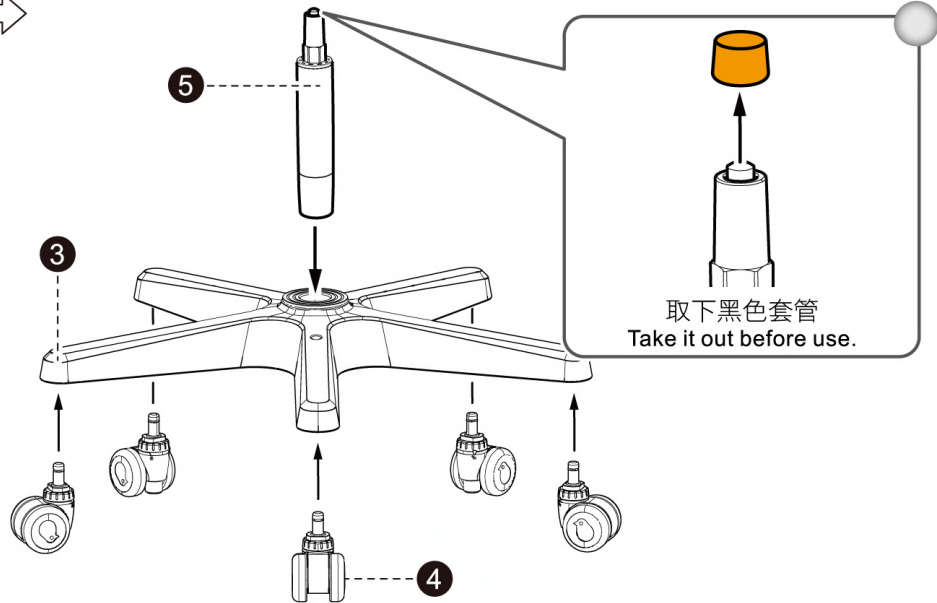
3-b 螺絲 Screw X 6



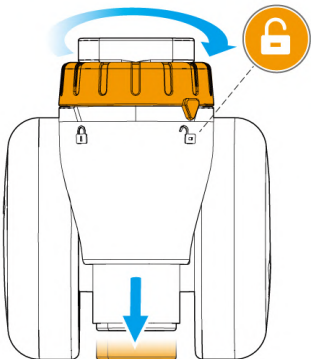
3-c 六角板手 Hex key X 1



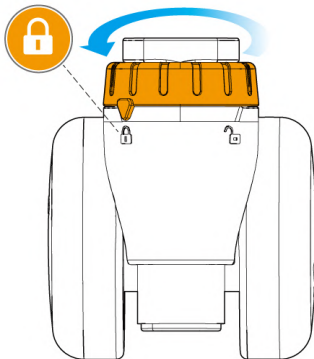
1 →



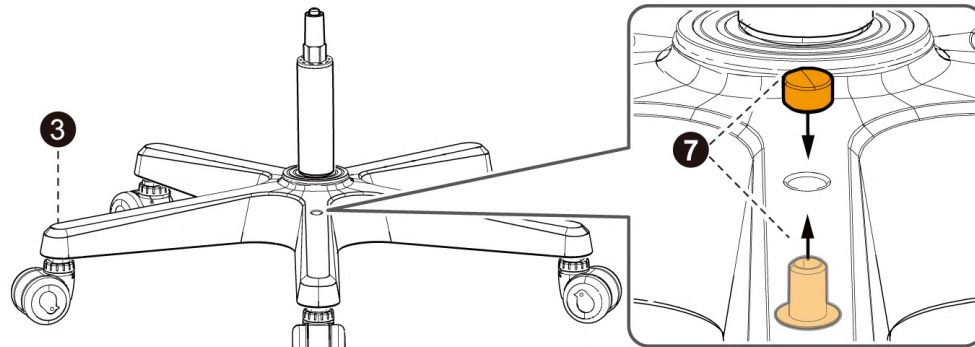
右轉開關為解鎖，可使用坐煞功能。
Locate the lever to the right side to trigger
brake function.



左轉開關鎖住，為普通的輪腳功能，
沒有坐煞機制。
Whereas, to terminate.

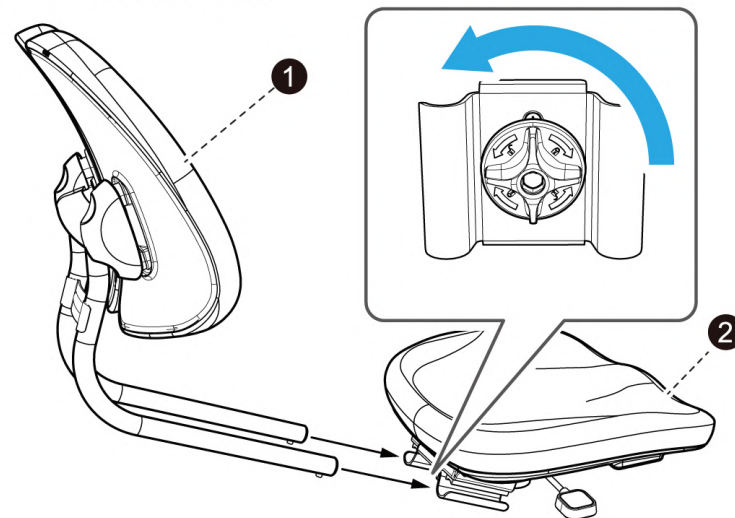


2 →

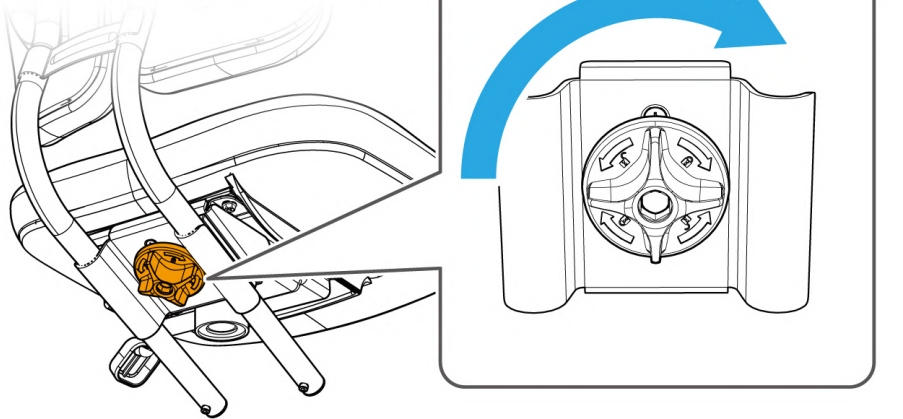


3 →

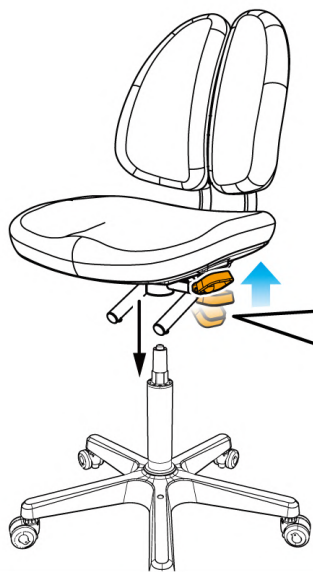
左轉鬆開。
Locate the lever to the left side to release.



4 → 右轉鎖緊。
Locate the lever to the right side to lock.

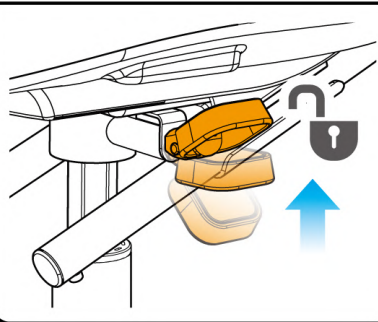


5 →



注 意
CAUTION

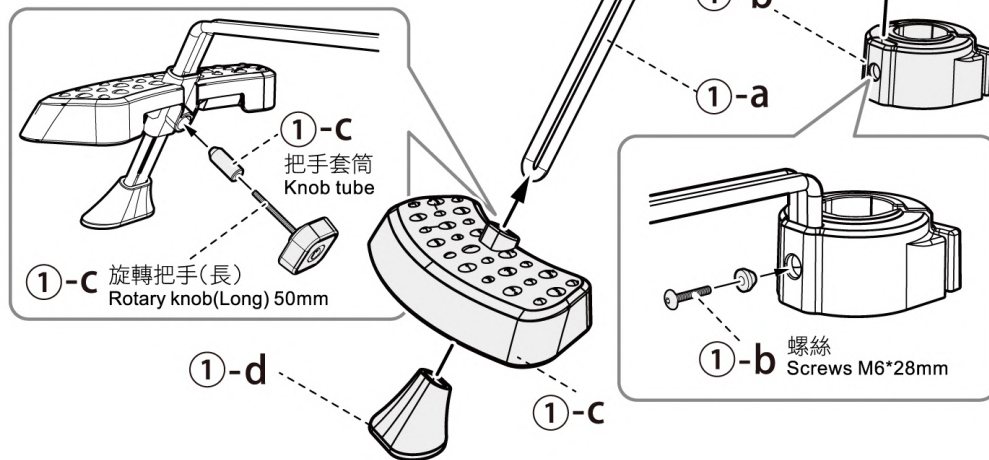
組裝前須解開固定旋轉模式。
Please unlock before assembling.



1

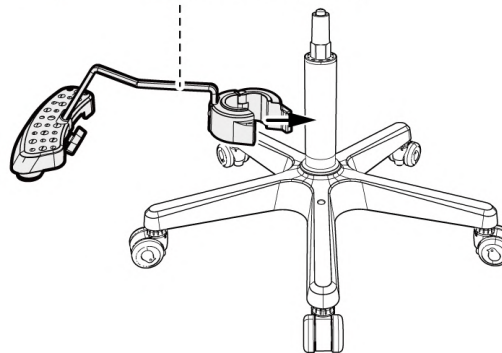
輔助踏板(選配)
Foot rest (Optional)

1 →



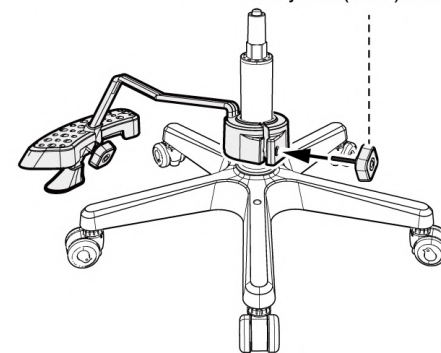
2 →

1 輔助踏板(選配)
Foot rest (Optional)



3 →

1-b 旋轉把手(短)
Rotary knob(Short) 35mm



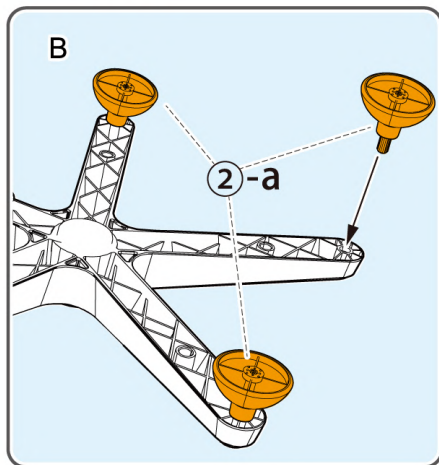
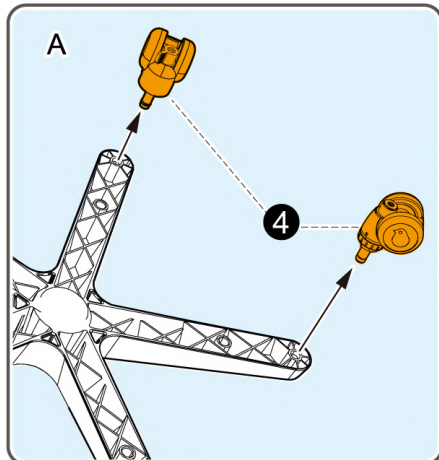


2 固定腳墊(選配) Bottom Tips (Optional)

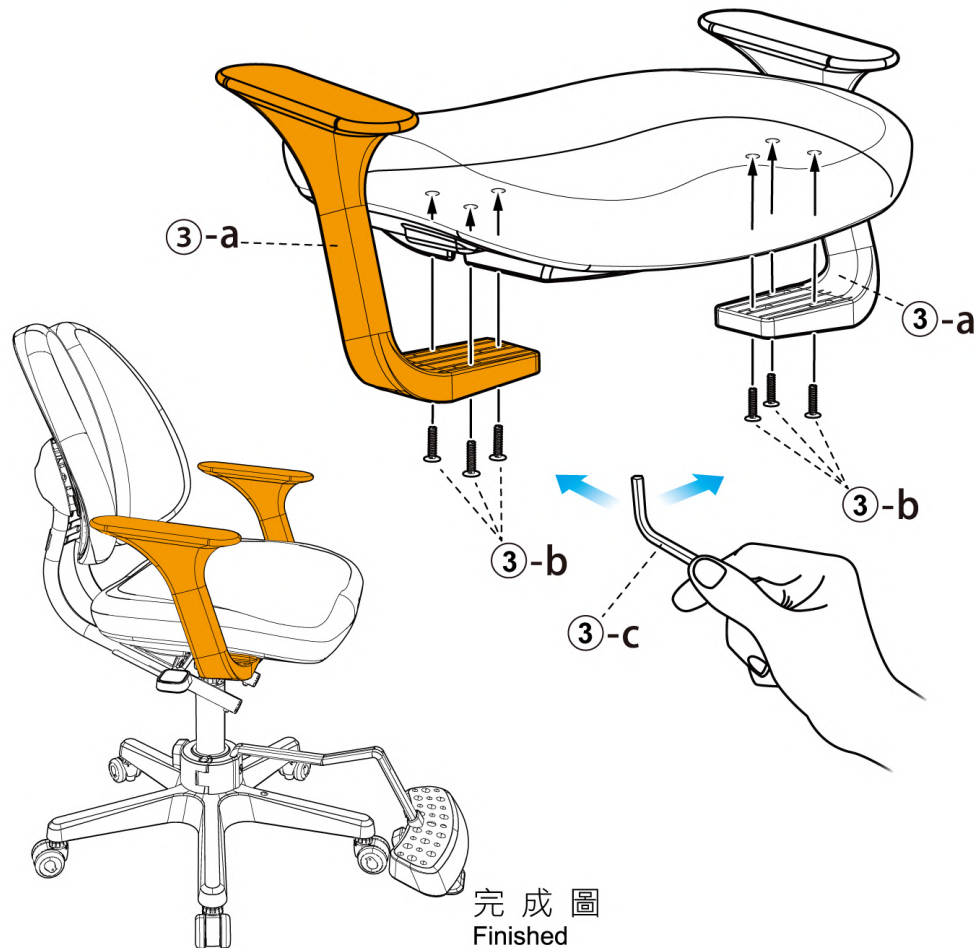
先取下坐煞輪 ④，再依序將固定腳墊 ②-a 置入五爪。
Remove the sit & brake casters ④ and install 5 bottom tips ②-a into star base.



完成圖
Finished



3 BABO/EGO/DUO 專用扶手(選配) BABO/EGO/DUO Armrest (Optional)



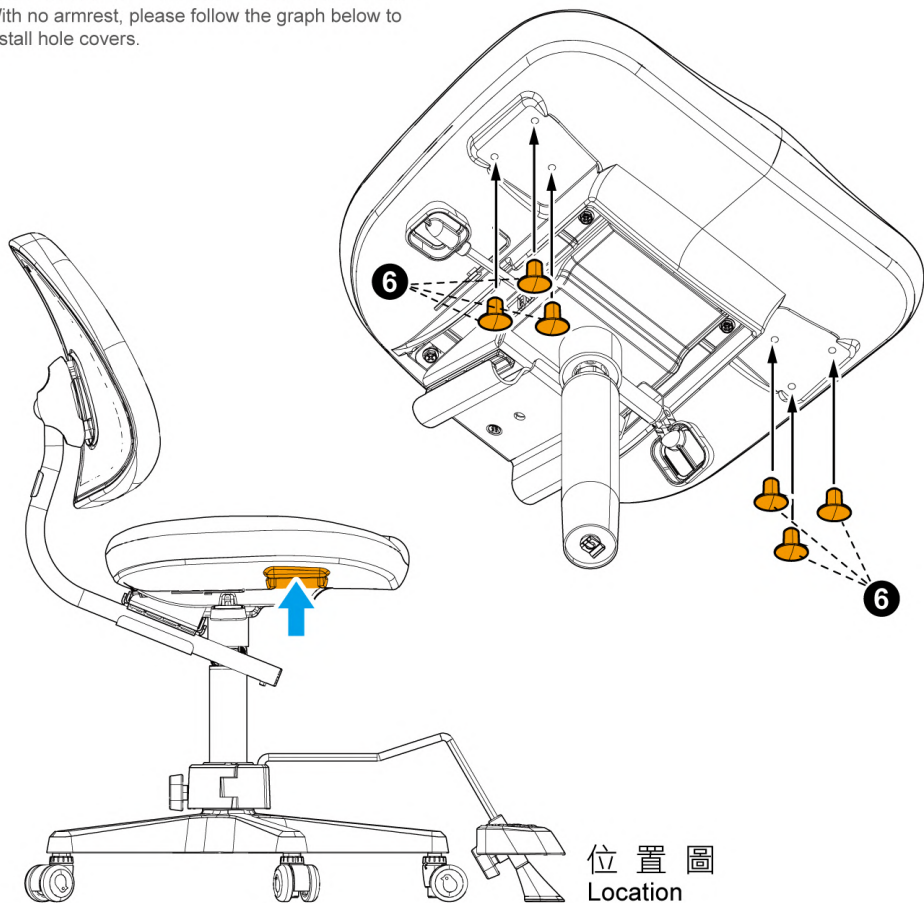
完成圖
Finished

扶手孔蓋安裝

Hole cover installation

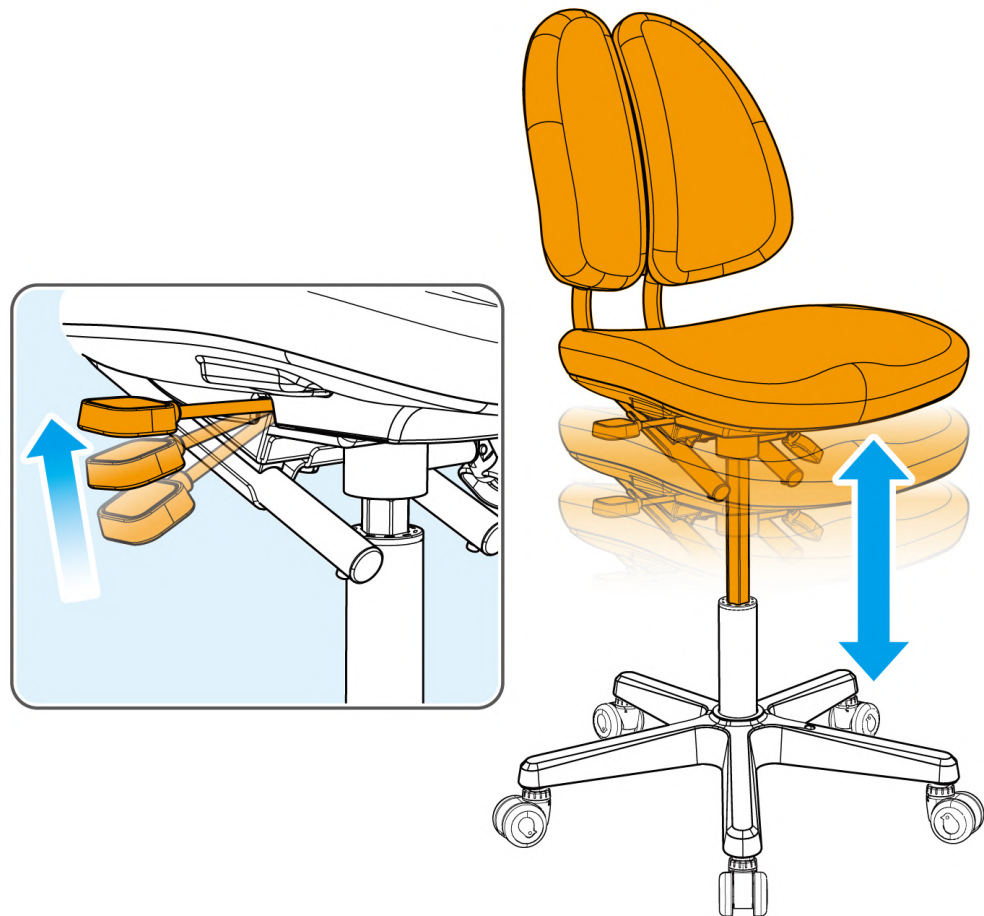
如您未加購扶手，請依照下圖安裝扶手孔蓋。

With no armrest, please follow the graph below to install hole covers.



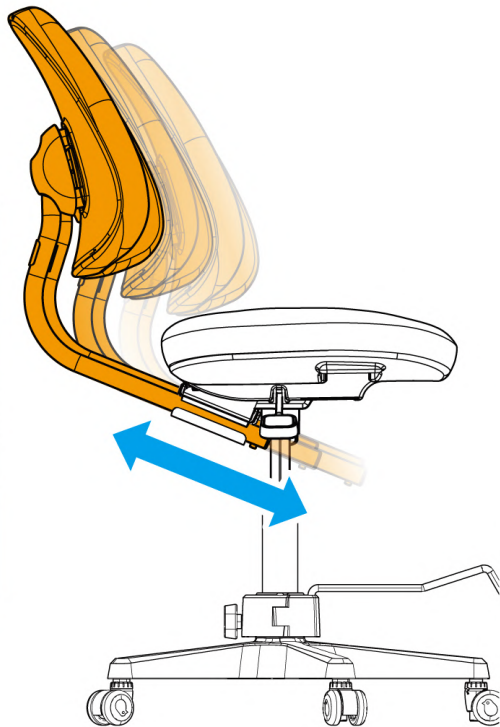
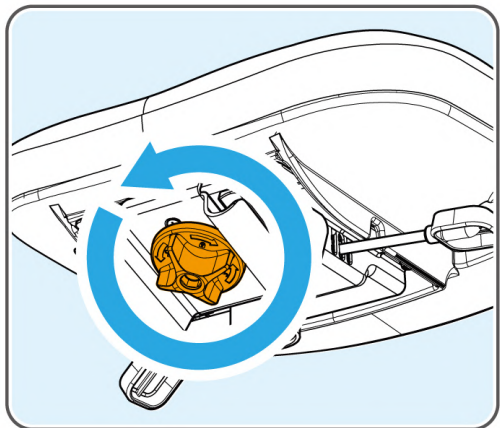
座高調整

Seat height adjustment



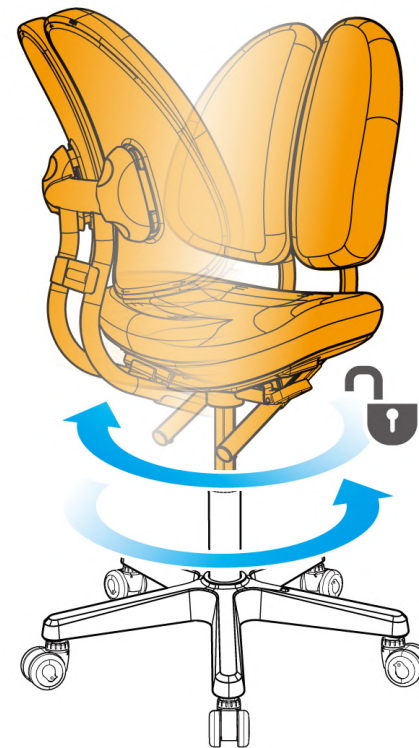
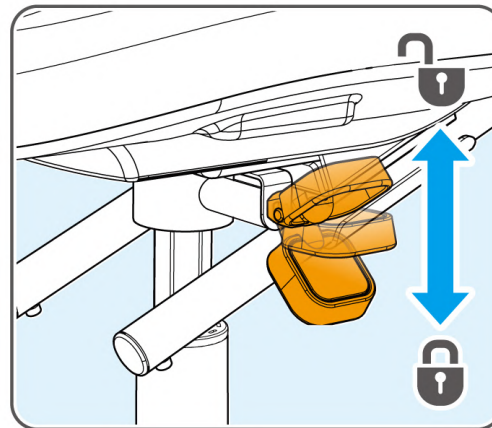
背靠調整

Seatback height adjustment



旋轉/固定座椅

360° Rotatable

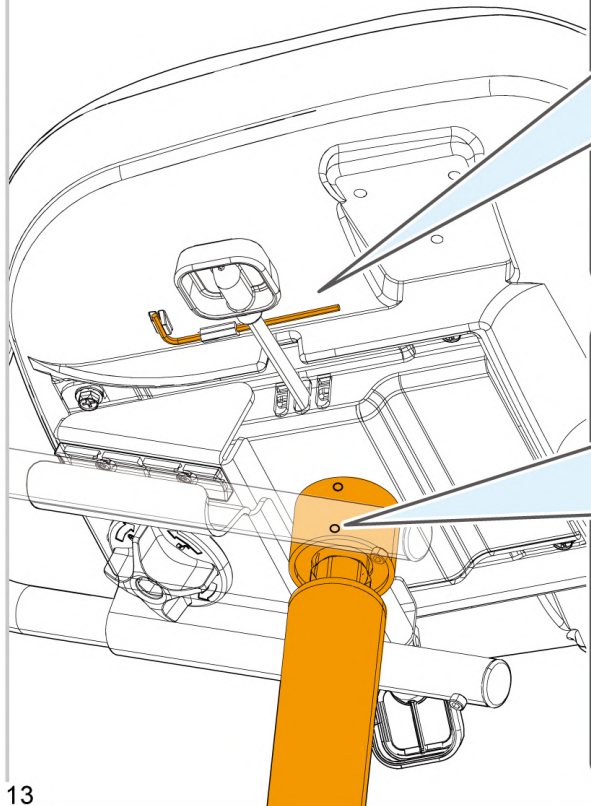
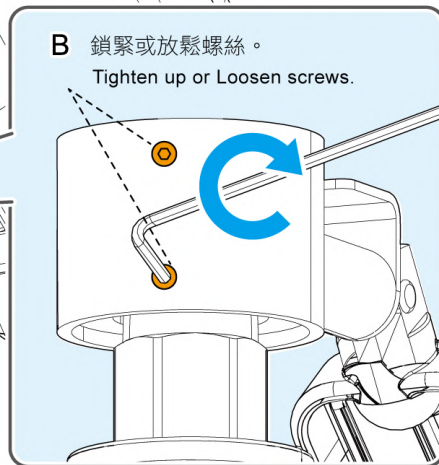
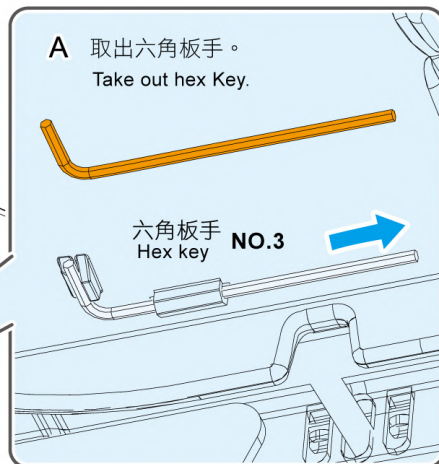


注意
CAUTION

旋轉固定模式下 請勿強制左右扭轉
Do not force twisting when in constant mode.

座椅調整 Seat Adjustment

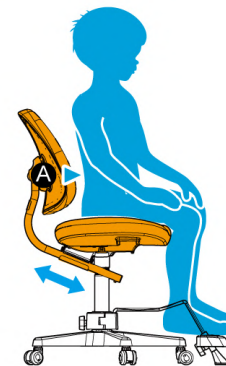
可鎖緊螺絲來調節。(鎖過緊椅子會無法旋轉)
Tighten up the screw for adjustment. (Caution: overtighten the screw could make seat not able to rotate)



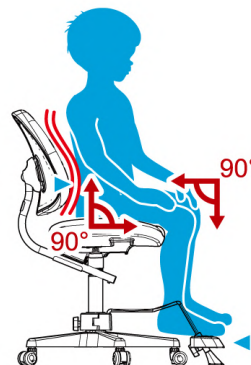
為孩子調整合適的座椅 Adjust Ego C chair to fit your child



先調整坐高，坐墊前緣對準孩子的膝窩。
Adjust chair height first. The seat edge faces the back of one's knees.



再調整坐深，將 **A** 部位對齊孩子的背部曲線。
Further, adjust the seat pan depth, and **A** for lumbar support to fit right in natural curve of child's spine.



正確的坐姿。
Correct sitting position.



常見的錯誤姿式。
Common posture mistakes.